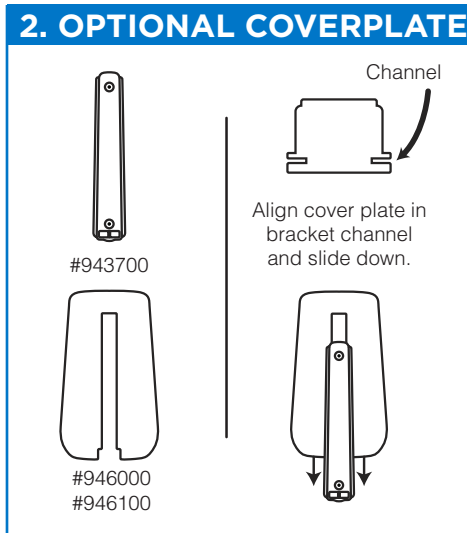


# foamyiQ<sup>®</sup>

## BRACKET MOUNTING INSTRUCTIONS



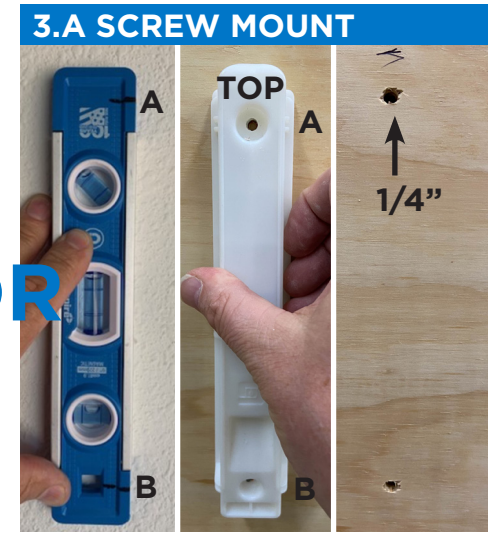
**CLEAN** area and **MEASURE**.



**INSTALL** coverplate on bracket.



**REMOVE** tape. **PRESS** bracket to surface. **ALLOW** 24 hours to cure.



**MARK** and **DRILL** top and bottom holes.



**PLACE** anchors and **MOUNT** using top and bottom screws.



**ATTACH** cartridge.



**ATTACH**

**DEplete**

**REPEAT**

When depleted, **UNLOCK** the cartridge, **RECYCLE** and **REPLACE** with a fresh new cartridge.